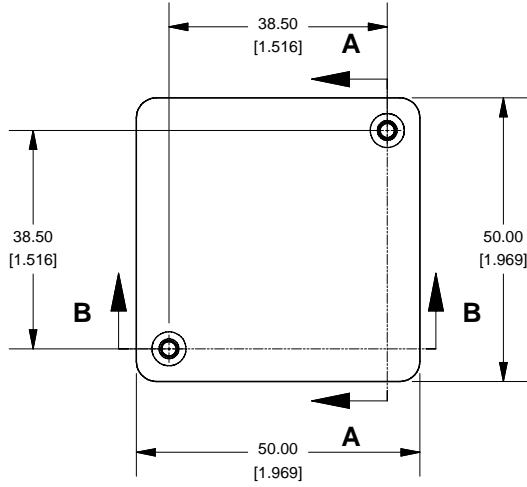
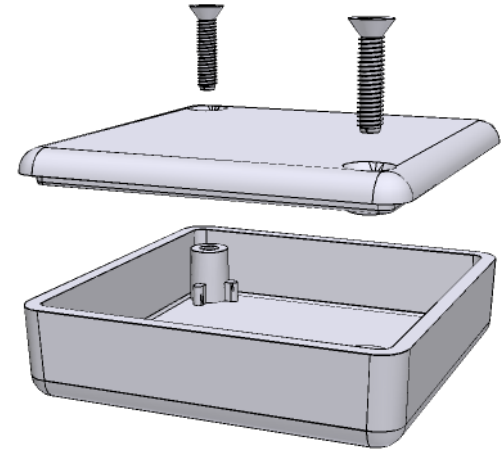
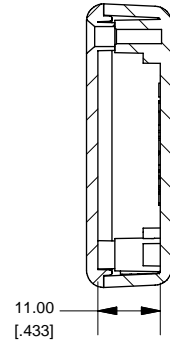


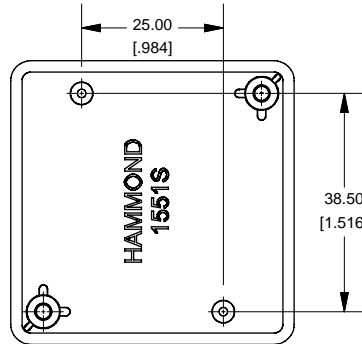
### Top View of Assembly



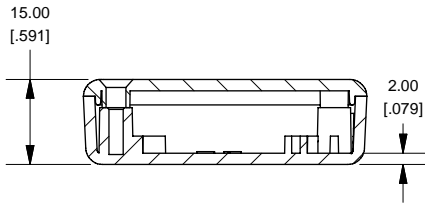
### SECTION A-A End View of Assembly



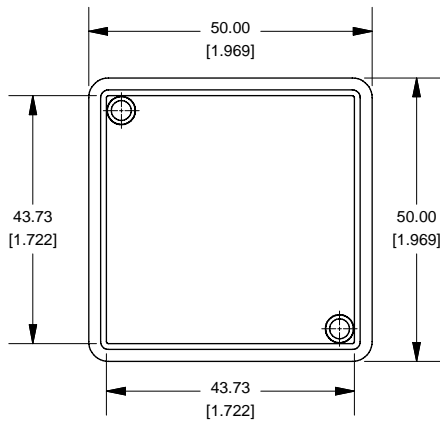
### Top View Looking Inside Box



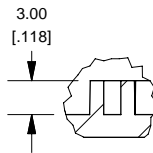
### SECTION B-B Side View of Assembly



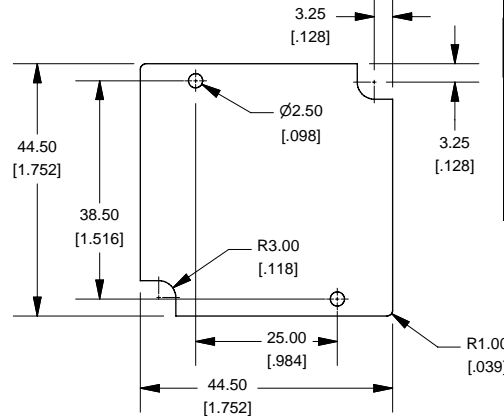
### Lid



### SECTION C-C Boss Heights



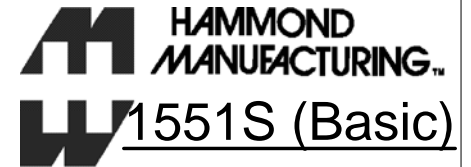
### Maximum P.C. Board Size



#### NOTE

Purchased assembly includes lid and box made from GP ABS material and cover screws.

1551S	
1551S Flange Enclosure	
Black Enclosure - RAL 7001 - UL94 - HB	1551SHBK
Gray Enclosure - RAL 7035 - UL94 - HB	1551SGY
Translucent Blue - UL94 - HB	1551STBU
ACCESSORIES	
Black Enclosure Cover Screws (Pkg 100) [#4 X 1/2" Self Tapping]	1591TS100BK
Grey Enclosure Cover Screws (Pkg 100) [#4 X 1/2" Self Tapping]	1591TS100
P.C. Board Screws (Pkg 100) [32 x 3/16" Self Tapping]	1551ATS100



www.hammondmfg.com